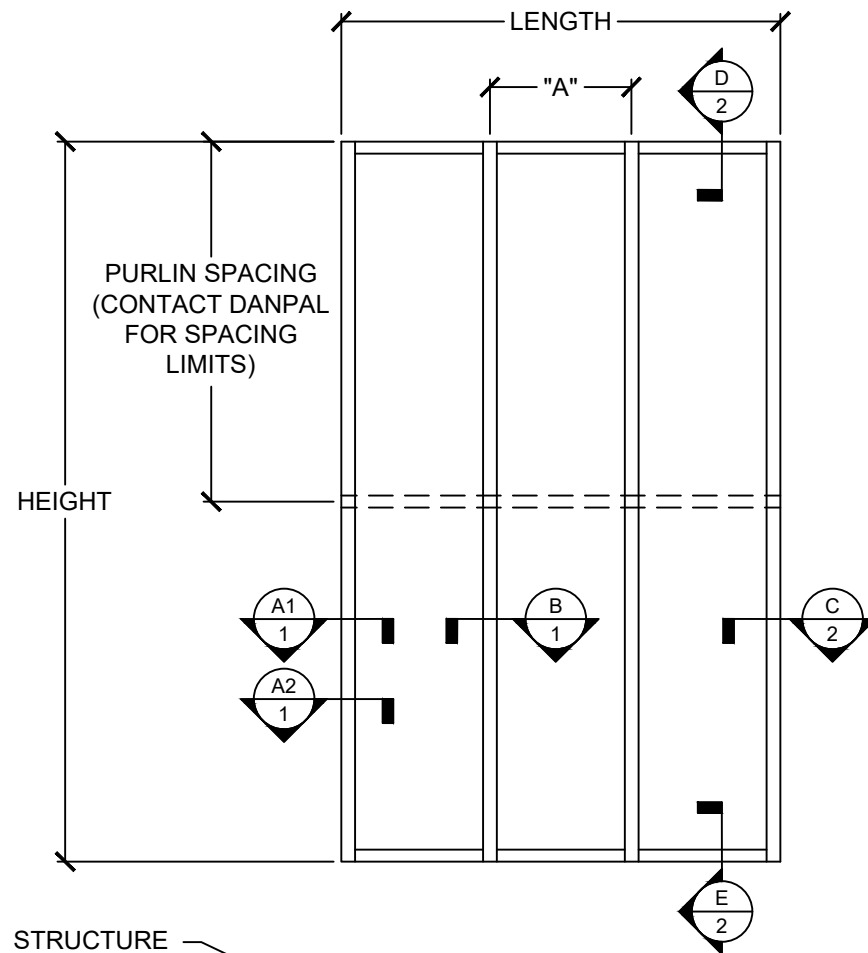
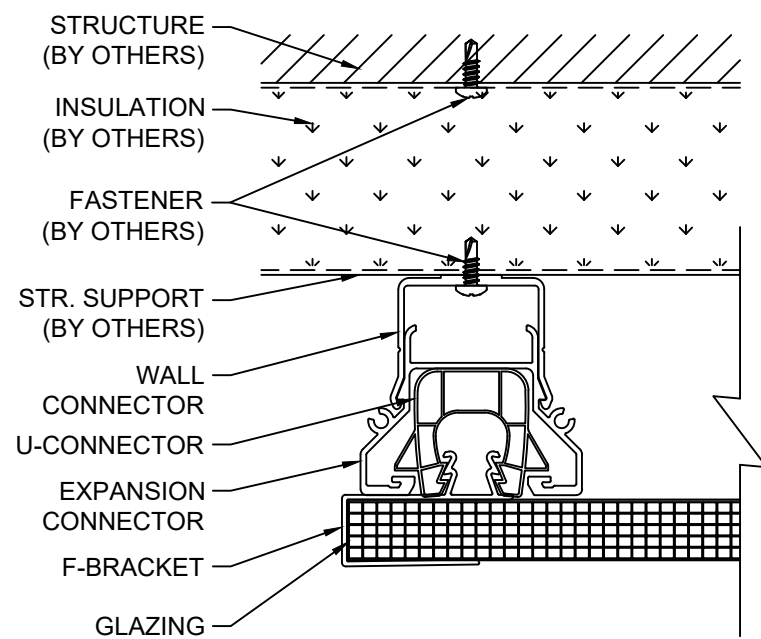
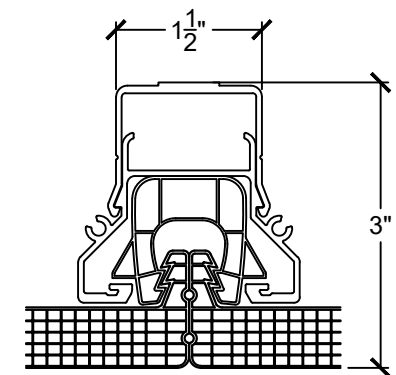


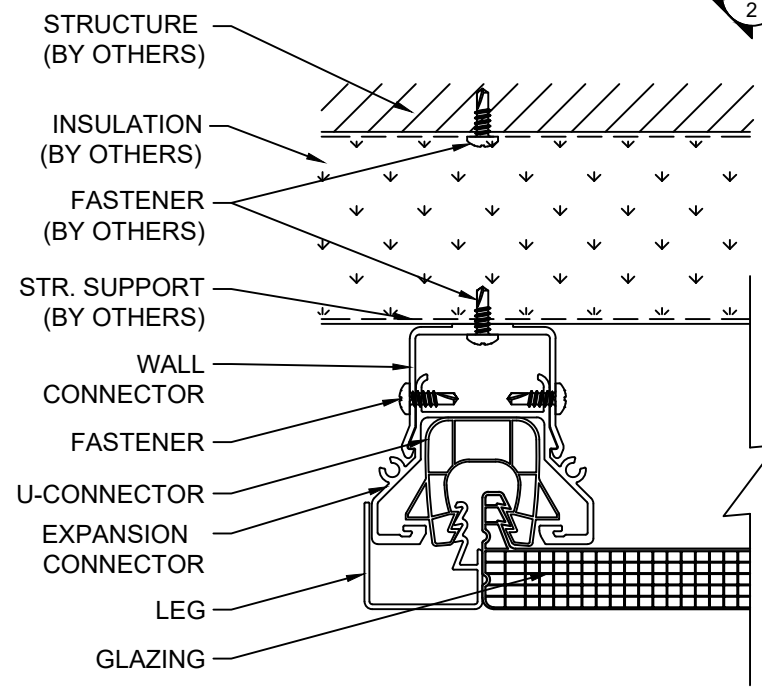
"A"	
600mm	23.62in
900mm	35.43in
1040mm	40.94in



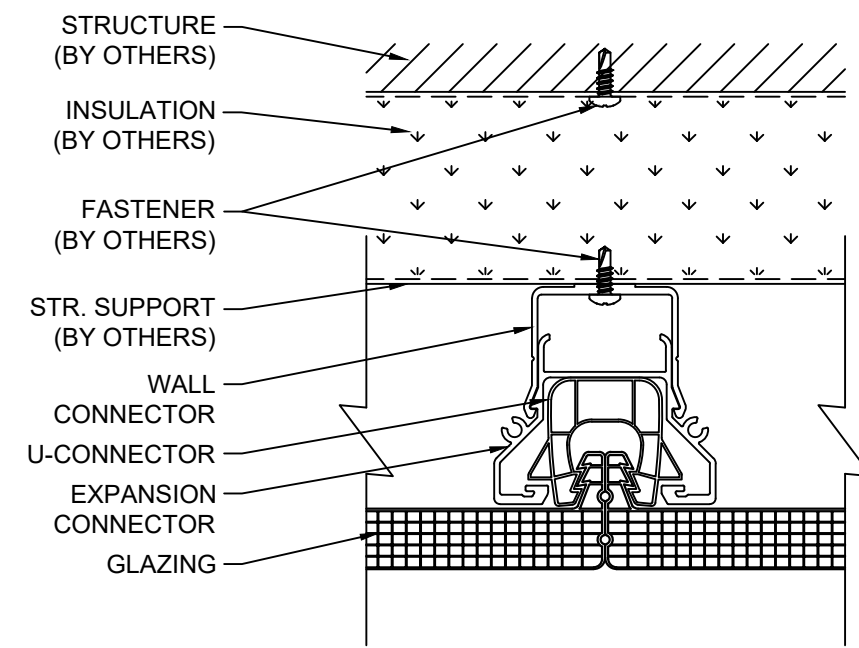
SYSTEM DIMENSIONS



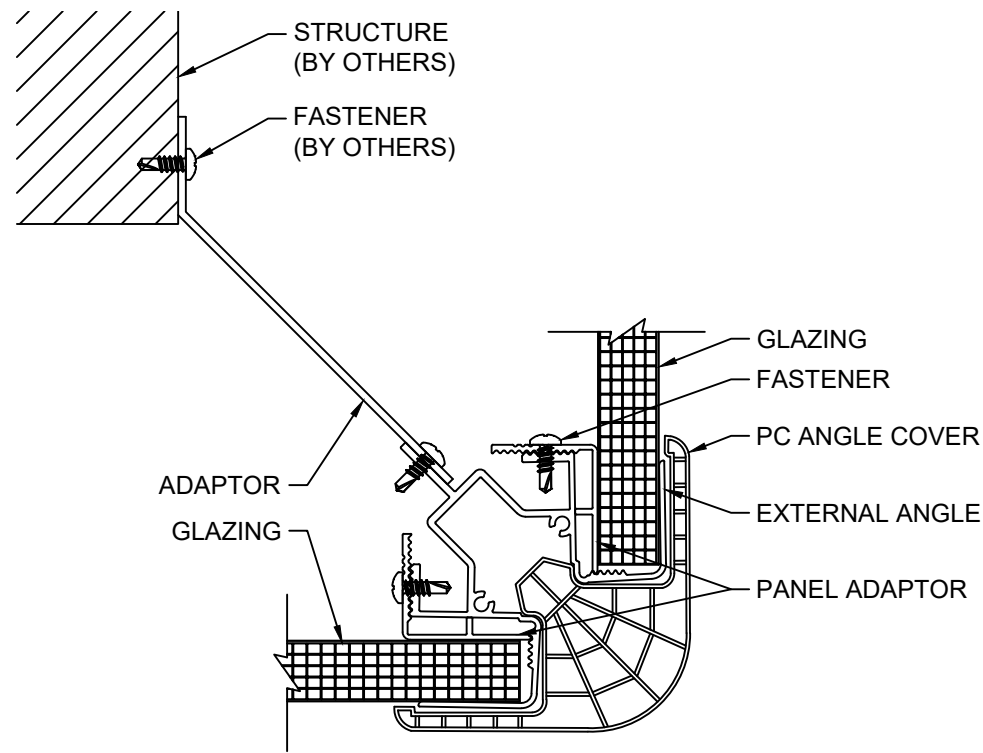
A1
1
JAMB DETAIL
Scale: 6" = 1'-0"



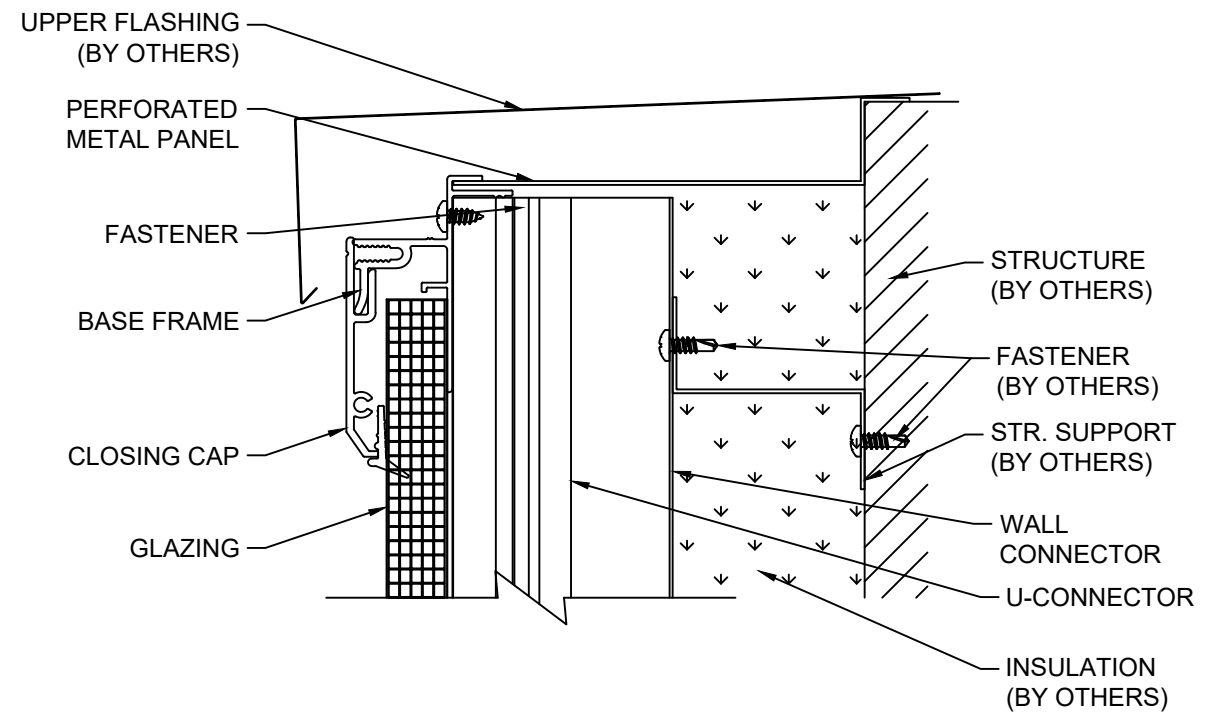
A2
1
JAMB DETAIL
Scale: 6" = 1'-0"



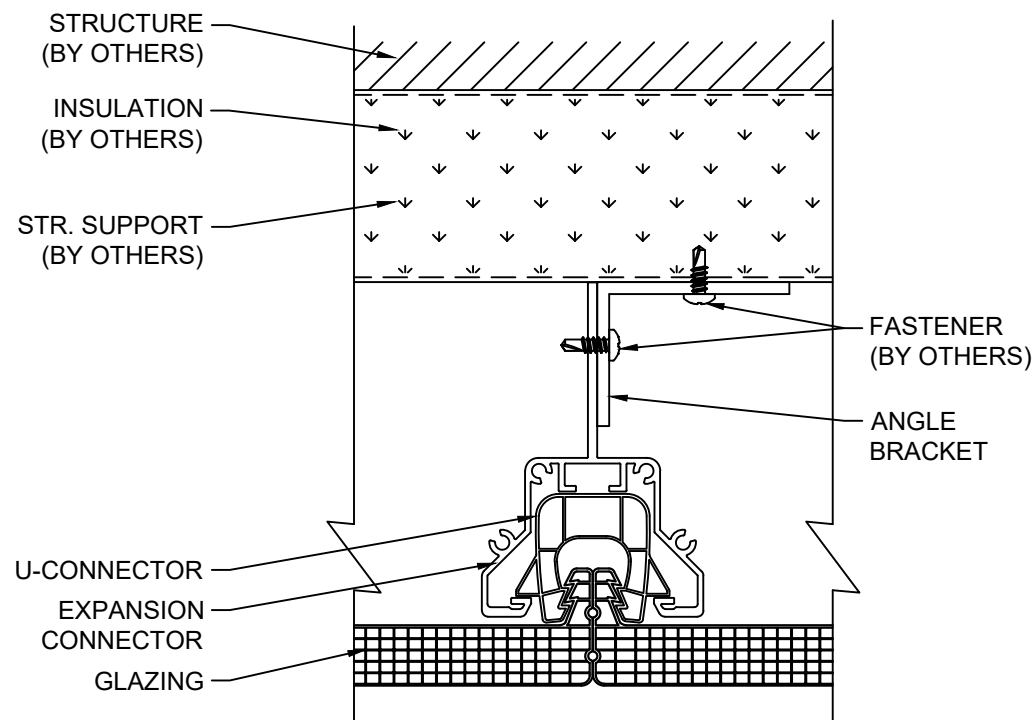
B
1
CONNECTOR DETAIL
Scale: 6" = 1'-0"



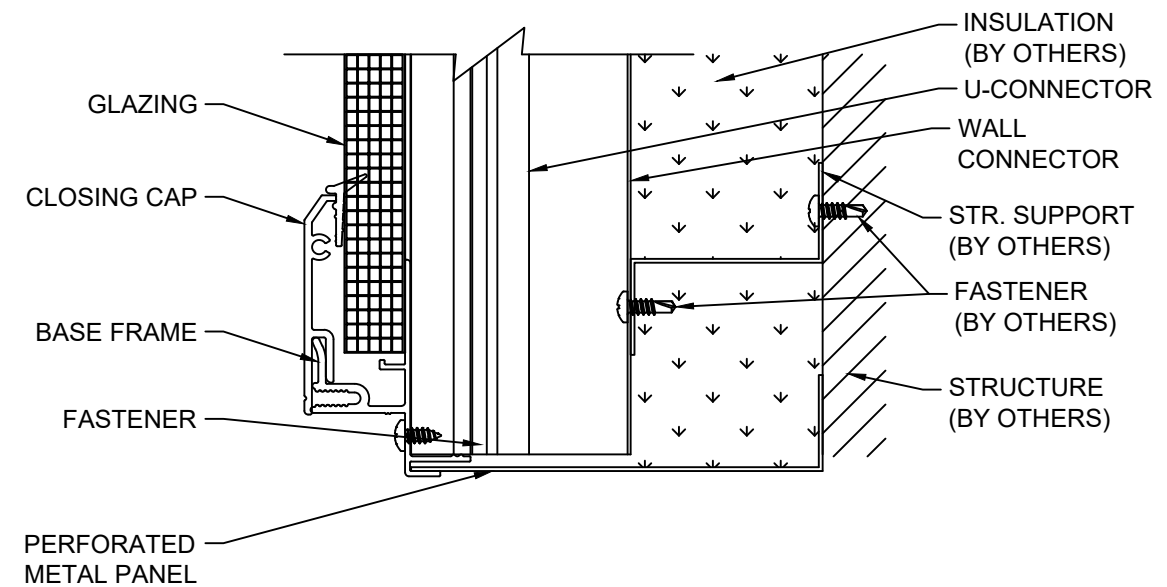
C
CORNER DETAIL
Scale: 6" = 1'-0"



D
HEAD DETAIL
Scale: 6" = 1'-0"



F
ALT. CONNECTOR DETAIL
Scale: 6" = 1'-0"



E
SILL DETAIL
Scale: 6" = 1'-0"