



DANPAL[®] COMPACT

Total Transparency with
High Impact Resistance



OUTDOOR



FACADE



SKYLIGHTS





**PERFECT CLARITY
WITH HIGH IMPACT
RESISTANCE**



**DANPAL® COMPACT BRINGS
TRANSPARENCY WITHOUT LIMITS,
BRILLIANT LIGHT TRANSMISSION
WITH FLEXIBILITY OF
INSTALLATION AND CURVABILITY**



Glass-like appearance

Enjoy the appearance of glass together with all the advantages of polycarbonate.

Danpal® Compact is a 4mm thick solid panel that provides a 'glass-like' appearance, together with strength, insulating qualities, flexibility, curving ability, low weight and UV protection.

Freedom to design spectacular glazed areas of unlimited size and shape

The Danpalon® standing-seam connection system allows architects complete freedom to design spectacular glazed areas of unlimited size and shape. The entire assembly uses no caulking or adhesives, eliminating the difficulties of sealant and adhesive bond failure common to traditional systems.

EXPAND YOUR CREATIVITY WITH CURVABILITY AND GLASS-LIKE TRANSPARENCY

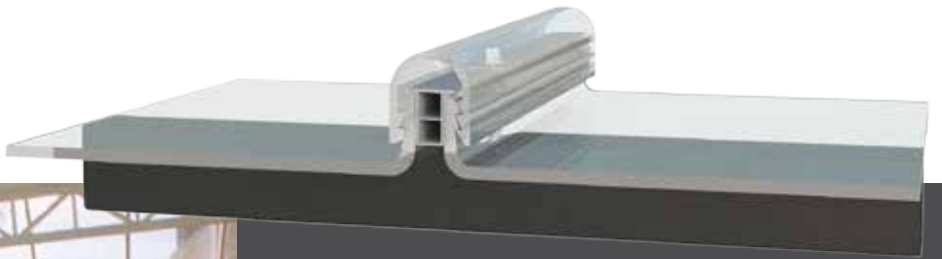
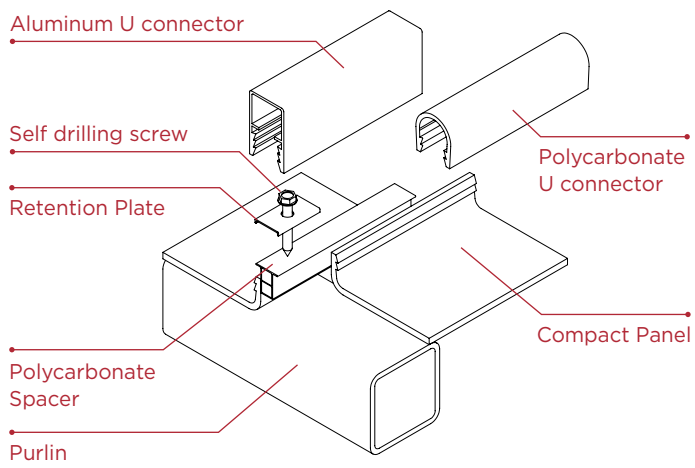


Office Building, Spain | Danpal® Compact | Architect: Pich Aguilera

WHAT MAKES DANPAL® COMPACT UNIQUE IS THE STANDING SEAM CONNECTION METHOD AT THE HEART OF THE SYSTEM

The Danpal® Compact system consists of:

- Main transparent 4mm compact panels, 592mm wide, extruded with a vertical standing seam at both sides of the panel.
- A snap-on connector (aluminium or transparent polycarbonate) interlocking the panels.
- A transparent polycarbonate spacer profile. Its installed module width is 600mm. The system is free-floating. Every component is free to thermally expand or contract at its own rate, maintaining the structural properties for the life of the material.



SYSTEM BENEFITS

- Pure transparency
- Lightweight
- Long panels, curvable on site
- Waterproof
- Easy installation
- Impact resistance
- SOCOTEC (EN accredited) certified system



Shopping Center, Colombia | Danpal® Compact



Residential, Danpal® Compact, Sydney Australia

COMPACT SYSTEM VARIETY



COMPACT TRADITIONAL SYSTEMS	COMPACT ALU SPACER SYSTEM	COMPACT FREE SPAN SYSTEM
<ul style="list-style-type: none"> • Polycarbonate or aluminum connector • Polycarbonate spacer • Polycarbonate connector system can be curved on site 	<ul style="list-style-type: none"> • Polycarbonate connector • Aluminum spacer • Longer spans for curved installation 	<ul style="list-style-type: none"> • Full aluminum system • Long spans

THE FREEDOM TO BRING YOUR VISION TO LIFE - IN ANY SIZE, ANGLE OR COLOUR

Aluminium or polycarbonate connectors offer architects a high degree of freedom in terms of exterior building design. Up to 12.0m long panels are supplied and are available as straight panels, cold bent, or thermoformed to form tight curves. Danpal® Compact is available in all colour ranges – easily adapting to all creative transparency ideas.



Playground, Spain | Danpal® Compact | Architect: Kepa Sacristan



Zankoeta School, Spain
Danpal® Compact
Architect: José Montajes Mentxaka

Sangji School Bus Stop, Korea
Danpal® Compact
Architect: Sehwa

College Entre - Deux-velles, France
Danpal® Compact
Architect: Entreprise Moysse

DISCOVER OUR RICH COLOUR PALETTE

Danpal® offers a rainbow of colours. From the purity of crystal to warm hues and vibrant red, customers have the freedom to choose the colour and light transmission quality, creating any type of atmosphere.



SPAN CHART - ROOF INSTALLATION

Max load kg\m ² 2 support					
Span (mm)	900	1000	1200	1400	1600
Compact Traditional - Polycarbonate connector*	90	75	n\a	n\a	n\a
Compact Traditional - Aluminum connector**	230	185	130	95	70
Compact Alu spacer**	170	140	100	70	55
Compact Freespan**	360	350	260	190	150

* Safety factor 3. Max deflection <2% and not more than 50 mm

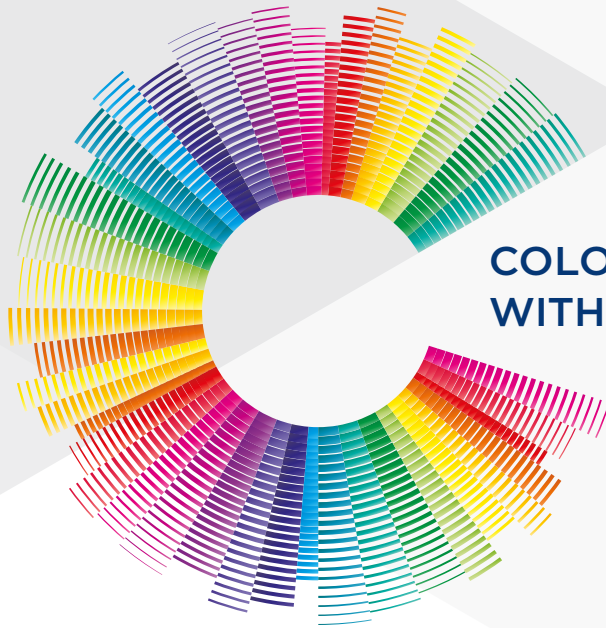
** Safety factor 1.5

TECHNICAL FEATURES

	COMPACT	
Structure	Compact (SOLID)	
Thickness (mm)	4	
Module (mm)	Traditional and Free span systems 600	Alu spacer systems 605
Length*	Standard up to 12 m	
Fire resistance (2)**	B-s1, d0	
Ug (W/m ² .K) (according to Th - U rules)	5.2	
Slope (connector installed to the external)	Roofing : 5° (or 9%) (4) / Shed 30° (or 58%)	
Minimum radius for cold curving (m)	3.2	
Non - fragility	Roofing: 1200 J - Class B	
Stability in seismic zone	On request	
Digital printing	Can be applied under specific conditions Please contact us for further details	
ISO certifications	Manufacturer certified ISO 9001 & ISO 14001	
Warranty	10 years manufacturer warranty	

* Can be longer upon request

** Euroclass following SBI (Single Burning Item) tests protocol established according to EN 13501-1



COLOUR YOUR ATMOSPHERE WITH THE DANPAL® PALETTE

ABOUT THE COMPANY

Innovative light architecture systems for building envelopes

Danpal® are creators of exceptional light-transmitting architectural systems for building envelopes, providing optimal solar and thermal comfort.

For 50 years, our innovative systems have helped architects to transform light (both natural and artificial) into a powerful and versatile tool, for architectural creations that are internally and externally radiant.

An industry visionary, Danpal® are originators of the Danpalon® translucent panel standing seam system - a light architecture solution used around the world in commercial, education, transport, health, sports and high-tech projects.

Today, the company offers complete systems - providing total solutions for the building envelope. Danpal® designs, manufactures and distributes an unmatched range of daylighting systems for all types of building requirements - from facades, cladding, roofs, skylights, shading, to interior and outdoor applications.

Danpal® systems are built around innovative technologies, deep architectural know-how and the ever evolving needs of our clients. Operating in five continents, Danpal® inspires architectural creativity with its rainbow of light architecture solutions.

Danpal® Compact is an integral part of Danpal's range of systems - giving you a complete solution



FACADES



CLADDING



SKYLIGHTS



OUTDOOR



SHADING



INTERIOR

www.danpal.com

